



MUSICA6S / MUSICA6C OWNER'S MANUAL

MUSICA
1 Mitek Plaza
Winslow, IL 61089
815-367-3000
800-225-5689
www.MusicaAtHome.com

INTRODUCTION

Congratulations on your purchase of MUSICA Loudspeakers. Your new speakers represent the latest technologies in loudspeaker design and manufacturing. They will provide outstanding performance and years of listening enjoyment. Please take time to read through this manual thoroughly to insure you get maximum performance out of your new loudspeakers.

FEATURES

- Video shielding for placement near a TV or monitor (MUSICA6C)
- 19mm dome tweeter
- Internally braced high density MDF cabinets
- Nickel-plated 5-way binding posts
- Black ash finish to blend in with any decor
- MUSICA 10 year limited warranty

SPEAKER PLACEMENT

MAIN LEFT AND RIGHT CHANNELS

MUSICA6S

All MUSICA Loudspeakers have been engineered to combine deep powerful bass with crisp, natural high frequency performance. Because there are many factors that affect loudspeaker performance, there is no universal rule for speaker location. Best results will be obtained with some experimentation using the following guidelines.

To achieve the most realistic stereo image, position the speakers so that an equilateral triangle is formed between the speakers and the listening position (Figure 1). Turning the speakers slightly towards the listening position can improve the image focus.

Bass loudness can be increased by moving the speakers closer to the rear wall. This sometimes can degrade the stereo image. Use your judgement as to what location best fits your preferences.

SURROUND LEFT AND RIGHT CHANNELS

MUSICA6S

If you are using the MUSICA6S for rear channel speakers in a home theater application they should be placed to the side and slightly behind the listening position (Figure 1). If this is not practical, they can be placed on the rear wall to either side of the listening position (Figure 2). For best results, the surround speakers should be spaced equal distances from the listening position with the tweeters at or above ear level.

MUSICA WARRANTY INFORMATION

All MUSICA In-Ceiling Speakers purchased in the United States from an authorized MUSICA dealer are guaranteed against defects in material and workmanship for a period ten years from the date purchased by the end user, and limited to the original retail purchaser of the product. Product found to be defective during that period will be repaired or replaced by MUSICA at no charge. This warranty is void if it is determined that unauthorized parties have attempted repairs or alterations of any nature. Warranty does not extend to cosmetics or finish. Before presuming a defect is present in the product, be certain that all related equipment and wiring is functioning properly. MUSICA disclaims any liability for other incurred damages resulting from product defects. Any expenses incurred in the removal and reinstallation of product is not covered by this warranty. MUSICA's total liability will not exceed the purchase price of the product. If a defect is present, your authorized MUSICA dealer may be able to effect repairs.

Proof of purchase is required when requesting service, so please retain your sales receipt and take a moment to register your product on line at www.MusicaAtHome.com.

| SPECIFICATIONS | MUSICA6S | MUSICA6C |
|----------------------------|---|---|
| Woofer | 6-1/2" (Poly Cone) | (2) 6-1/2" (Poly Cone) |
| Tweeter | 3/4" Balanced Dome | 3/4" Balanced Dome |
| Frequency Response | 55Hz-20kHz +/- 3dB | 60Hz-20kHz +/- 3dB |
| Impedance | 8 Ohms Nominal | 8 Ohms Nominal |
| Power Handling | 100W RMS/ 200W Peak Music | 100W RMS/ 200W Peak Music |
| Sensitivity (1W/1M) | 89dB | 92dB |
| Dimension's | 12-3/4"H x 7-1/2"W x 8-1/2"D (323.9mm x 190.5 x 215.9mm) | 7-1/2"H x 17-5/8"W x 8"D (190.5mm x 447.7mm x 203.2mm) |

CARE AND MAINTENANCE

Your speakers are designed to work with a wide range of electronic components. As little as 20 watts per channel can provide enough power for most applications. If you have a large room or prefer louder listening levels, more power may be required.

Caution: When choosing an amplifier, do not exceed the power rating of the speaker. If you hear very high levels of audible distortion you are exceeding the capabilities of the system. Damage can occur from this distortion, turn the volume back down until the distortion disappears.

Use the following guidelines to maintain the appearance of your speakers. Use a soft, damp cloth to clean the speaker cabinet. Avoid using harsh detergents or cleaning fluids. Remove the grills to vacuum and remove dust. Do not vacuum any of the speaker components, permanent damage could occur.

TECHNICAL ASSISTANCE

For additional technical assistance you can visit our website at www.MusicaAtHome.com. Otherwise, our technical service representatives can be reached by phone: 1-800-225-5689 or by E-mail: musica@mitekcorp.com.

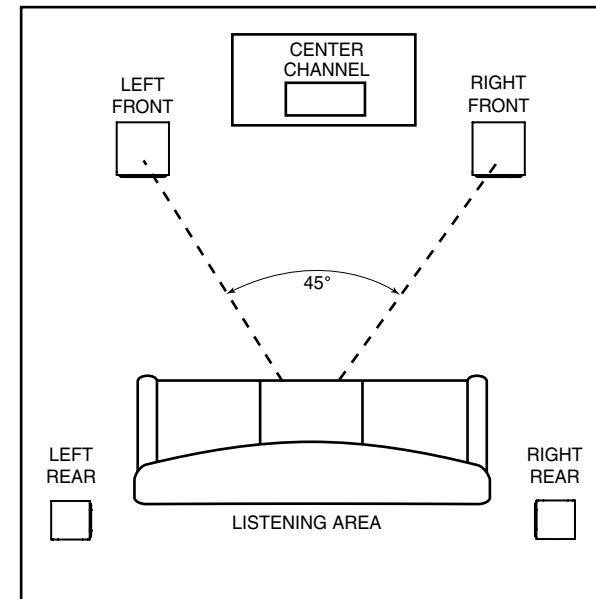


FIGURE 1 Typical Loudspeaker Placement

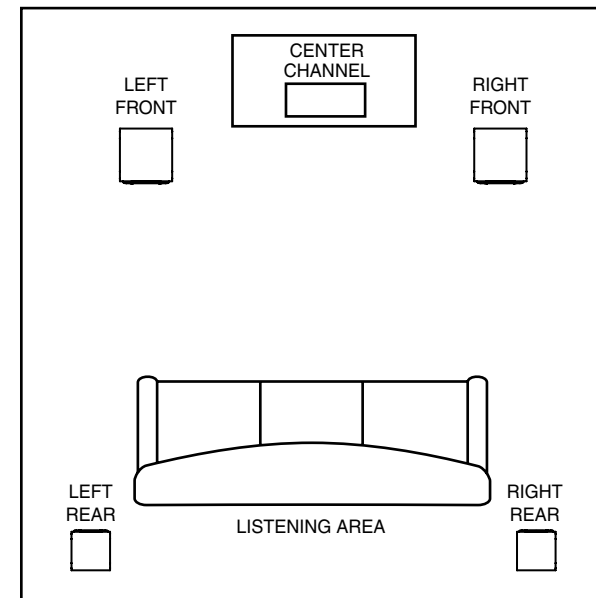


FIGURE 2 Alternate Loudspeaker Placement

CENTER CHANNEL

MUSICA6C

When using the MUSICA6C as a center channel speaker in a home theater application the following guidelines should be used for optimum performance.

Locate the speaker as close to the center of your TV or monitor as possible (Figure 1). This will anchor the central image of your home theater to the location of the images seen on the screen.

Place the center channel at an equal distance to the listening position as the main speakers are. Also, place the height of the center channel's tweeter as close to the same height as the main speakers' tweeters (Figure 3). This will prevent image blurring when sounds are panned from the one side of the room to the other.

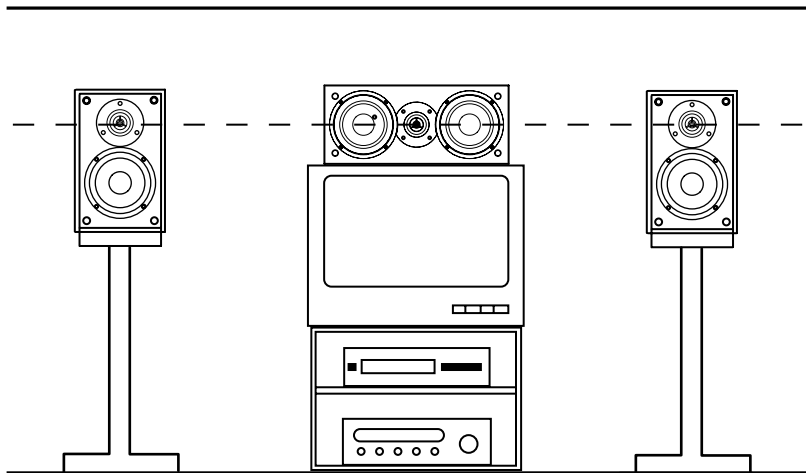


Figure 3 Proper Placement of Center Channel Speaker

HOOK UP

Note: If your amplifier or receiver has a 4/8Ω switch, optimum performance will be achieved using the 4Ω or lowest impedance position.

Use 16 gauge or heavier speaker wire for connecting to your amplifier or receiver. Cut wire lengths leaving an extra 12" to 24" at each end to allow for moving the speaker or receiver.

Using a wire cutter or a sharp knife, strip 1/2" of insulation off each end of the wire to expose the conductor. Twist wire ends to prevent from fraying. Connect the conductors to the binding posts on the bottom or back of the speaker by unscrewing the post enough to expose the hole in the terminal post. Slip the exposed conductor in the hole and tighten the post. Repeat this step for connecting to your amplifier or receiver. Refer to the owner's manual supplied with your electronics to assist with proper hook up.

Note: To ensure proper performance, make sure that the wire from the red (+) terminal on the speaker is connected to the red (+) terminal on your amplifier or receiver. Likewise, make sure the wire from the black (-) terminal on the speaker is connected to the black (-) terminal on the amplifier or receiver. (Figure 4)

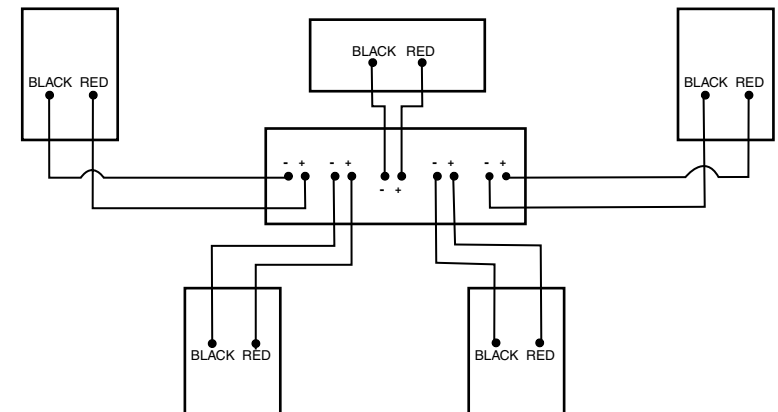


FIGURE 4 Connecting Speakers to Amplifier or Receiver

Once your speakers are hooked up, turn on your electronics and test to make sure they are functioning properly. If your speakers sound "thin" with little bass and have a poor center image, one of the speaker wires is probably hooked up backwards. Double check all connections for proper polarity.